

OXION[®]

SIMPLIFY YOUR BUSINESS NETWORK

Industrial Outdoor PoE Switch

8Port Full Gigabit PoE + 2Gigabit SFP Uplink

Model:GIPS4110B-2S



- * Integrated PoE Switch
- * Waterproof Case
- * Power Adaptor
- * Air Breaker
- * Surge Protector
- * Cooling Fan
- * Optical Fiber Tray
- * Outdoor Water Proof IP55
- * Working Temperature -20 - 75°C

sales@i-oxion.com - support@i-oxion.com
www.i-oxion.com

Industrial Outdoor Gigabit Ai-PoE Switch 8GE PoE+2SFP Uplink



OX-GIPS4110B-2S is an outdoor PoE switch. It is integrated of PoE switch, optical fiber tray, air breaker, lightning arrester etc. It has IP55 protection grade, can be for outdoor using. It can be applied for surveillance monitoring, forest monitoring, etc.

Key Features

- 8*10/100/1000M Giga PoE ports and 2*1000M SFP uplink ports.
- The maximum PoE power of single port is 30W, and the maximum PoE power of the whole machine is 115W.
- Provides three modes of VLAN to adapt to various complex environments.
- Supports PoE Auto-check function, which is specially designed to solve the problems of equipment frozen. It can automatically detect the frozen PD equipment and restart the ports' output of PSE, and restart the PD device. It greatly reduces the maintenance difficulty of engineering.
- 6KV surge protection, 6KV contact / 8KV air ESD protection.
- SC PC Fiber Splice Termination Box
- The box adopts waterproof (protection level IP55), anti-rust treatment, suitable for long time outdoor use.

PoE Power Supply Function

- According to IEEE 802.3af/at PoE power supply standard, the maximum PoE output power of the whole machine is 115W, single port for the maximum PoE output power is 30W
- Automatic identification of PoE equipment for power supply without damaging non PoE equipment

The equipment is stable and reliable

- OXION independent research and development of power supply, high redundancy design, to provide long-term stable PoE power output.
- The equipment meets the national CCC standard, fully meets the safety requirements, and is safe and reliable.

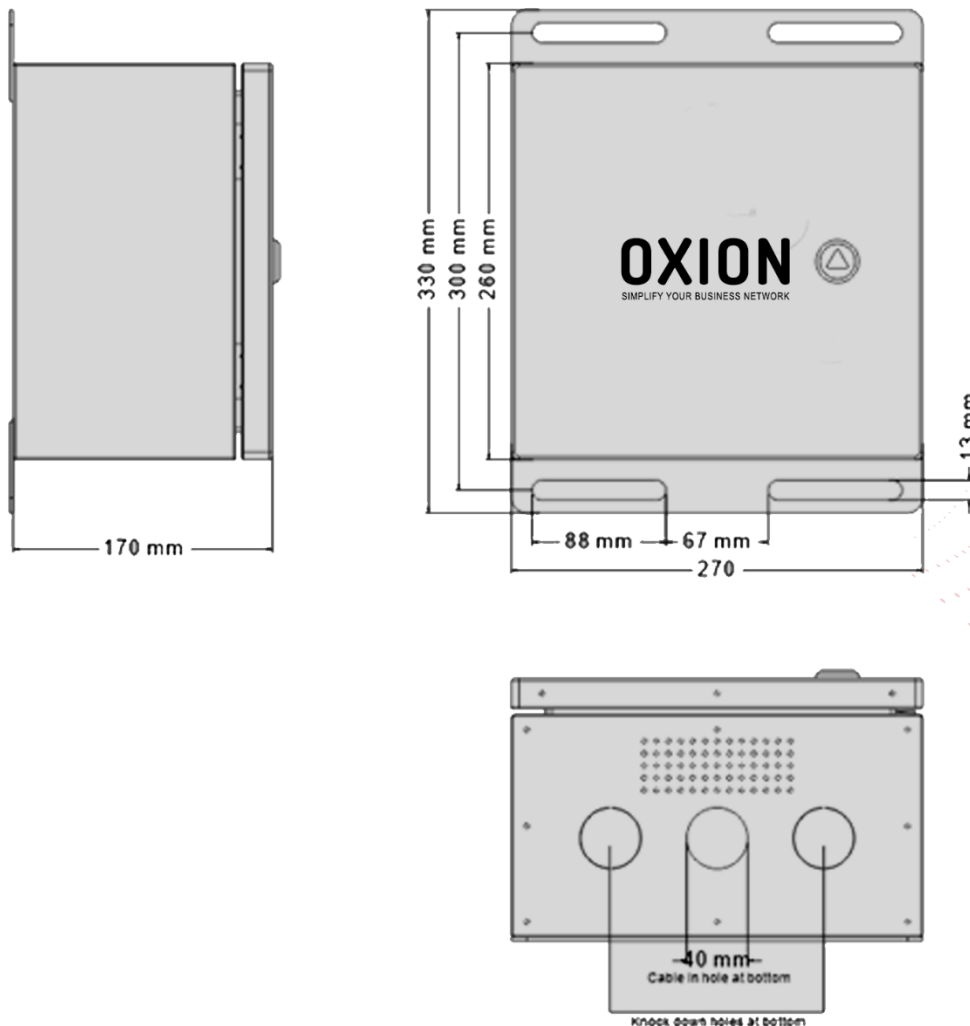
Easy to use

- Plug and play.
- Dynamic LED indicator provides simple working status prompt and troubleshooting.

Complete set of accessories

- Pole Mounting Ring
- User manual
- Wall /Pole Mount Bracket

Structure



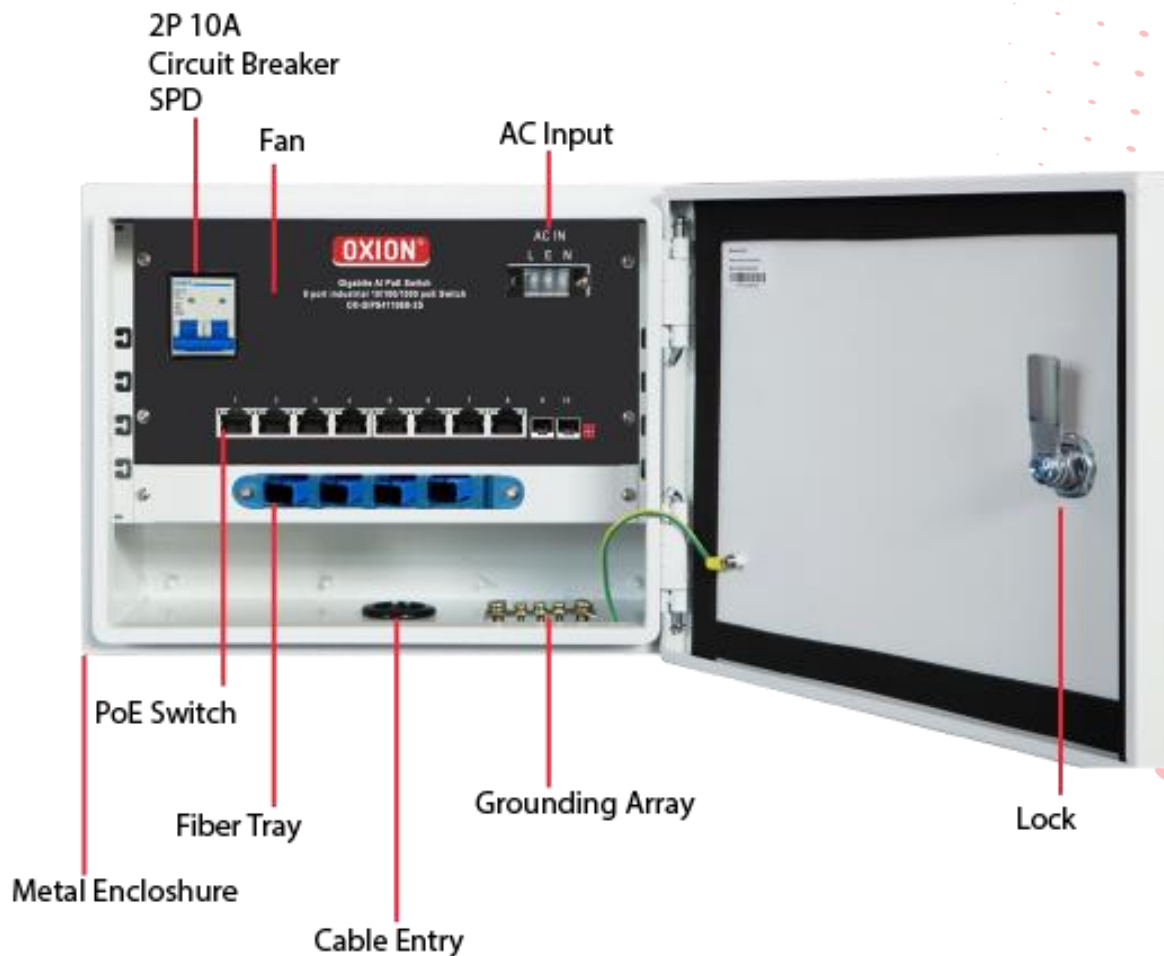
Industrial Outdoor Gigabit Ai-PoE Switch 8GE PoE+2SFP Uplink



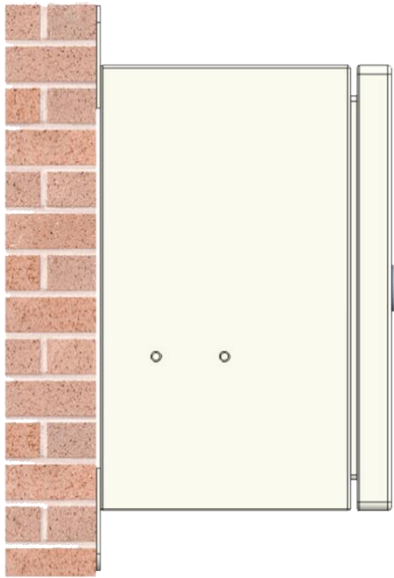
Model No.	OX-GIPS4110B-2S
Parameter	Specifications
Power supply	AC100-240V, 50/60Hz
Consumption	Self consumption<5W, PoE output max. 115W
Downlink ports	Ports 1~8 10/100/1000Base-T 30W PoE RJ45(IEEE 802.3af/at)
Uplink ports	Ports 9~10 1000Base-X SFP
PoE ports	Ports 1~8 support IEEE802.3af/at, end-span, 30W per port Max.
PoE Auto-check	If detect the frozen PD device, restart it
Working mode	VLAN mode: ports 1 ~ 8 are isolated from each other and can only communicate with the uplink port; restrain the network storm; turn off the flow control.
1~8 PoE ports	Support IEEE 802.3af/at, end-span, single port≤30W
Cable and distance	Use cat5e/6,100m max.
Standard	IEEE802.3, IEEE802.3u, IEEE802.3z
Switch fabric	20Gbps
Though put	14.88Mpps
Buffer	4M
MAC address table	16K
Indicator	Power: 1 *red ; Downlink 1~8: On RJ45 green LEDs indicate Link/Act, yellow LEDs indicate PoE Uplink9, 10: On RJ45 green LEDs indicate Link/Act
Protection	Surge: 6KV, standard: IEC61000-4-5 ESD: 6KV: contact 8KV: air, standard:IEC61000-4-2

SPD	AC lightning arrester, 385v AC@20KA , 2p, - 40 ~ 70 °C, lower incoming line, dxh06-fcs / 2r40
Working temperature	-20°C~75°C
Storage temperature	-40°C~85°C
Humidity	0~95%(No condensation)
Dimension(L×W×H)	270mm×170mm×260mm
Material	Metal
Colour	White
Net-weight	8KG

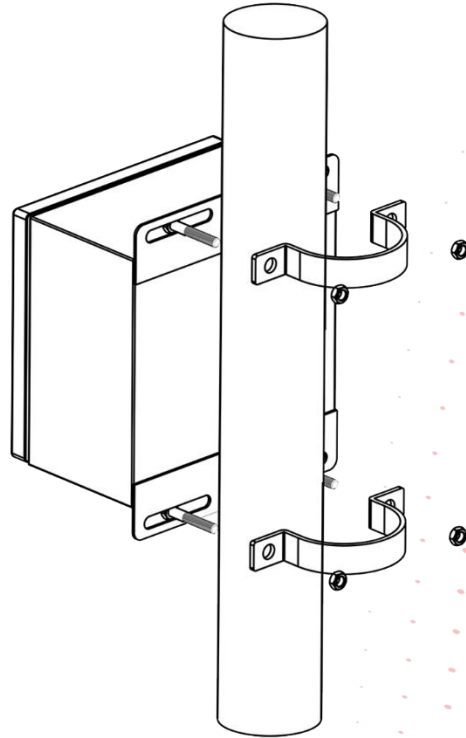
Product Overview



Installation



Wall Mount



Pole Mounting