

Pro-Series Gigabit AI PoE Switch



Metal Case



Port Isolated



Compatible



PoE watchdog



lightning Protection

OX-GPS2120-2GS-PRO

16GE PoE + 2 Gigabit Uplink + 2 Gigabit SFP

sales@i-oxion.com - support@i-oxion.com

www.i-oxion.com

Pro - Series Gigabit Ai-PoE Switch



OX-GPS2120-2GS-PRO PoE switch provides power and data from a single point, using Power over Ethernet (PoE) over a single Cat-5 cable. It can be used for any 10/100/1000Mbps link and supply industry-standard IEEE 802.3af /at power. Advanced auto-sensing algorithm gives power to 802.3af end devices, In addition, the PoE switch automatically determines PoE requirements, speed, duplex, and cable type using Auto Uplink. Easy to operate and reliable.

The PoE switch is ideal for powering PoE devices such as IP cameras, WLAN access point, IP phones, office access control systems, and other PoE devices and offers a line of high-quality products that provide a total solution for Ethernet application in different environment

Port Performance

- Provide 16*10/100/1000 PoE RJ45 adaptive ports, all of which can realize line speed forwarding.
- Provide 2*10/100/1000 RJ45 uplink ports for uplink transmission.
- Provide 2*1G SFP uplink ports for Fiber uplink transmission.
- Each port supports MDI / mdix auto flip and duplex / rate self-negotiation.
- Support IEEE 802.3x full duplex flow control and backpressure half duplex flow control.

Easy to use

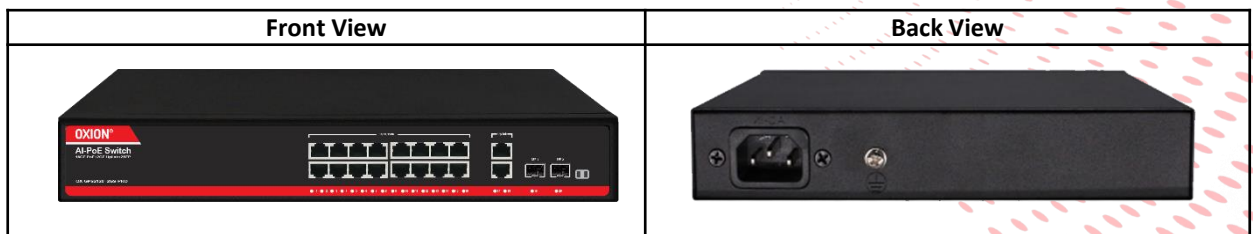
- OXION independent research and development of power supply, high redundancy design, to provide long-term stable PoE power output.
- The equipment meets the national CCC standard, fully meets the safety requirements, and is safe and reliable.

The equipment is stable and reliable

- Plug and play.
- Dynamic LED indicator provides simple working status prompt and troubleshooting.

Complete set of accessories

- By default, the switch is equipped with an AC power cord
- User Manual



Pro - Series Gigabit Ai-PoE Switch



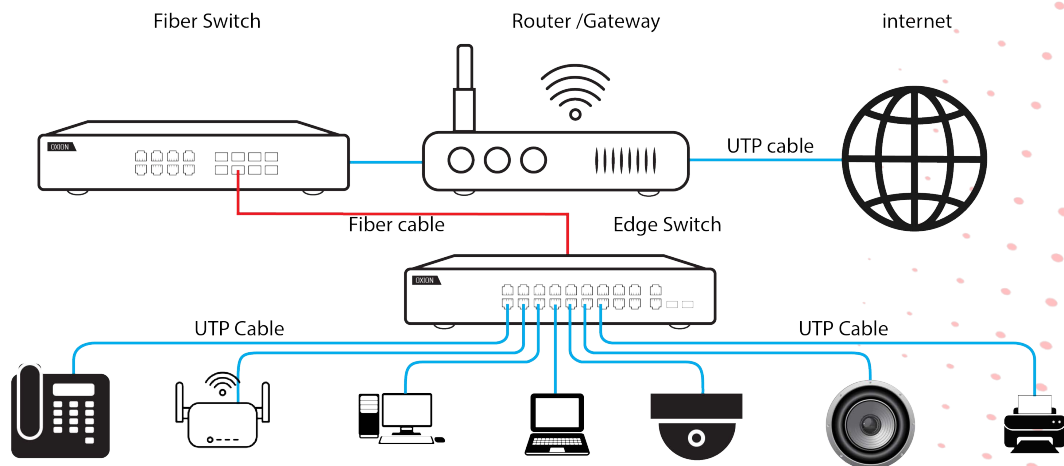
- ◆ 16*10/100/1000 mbps POE port + 2*10/100/1000 mbps UP-Link port + 2*1G SFP uplink
 - ◆ Support the Watchdog function
 - ◆ Whole Power:250W(52V 7.5A Full Duplex)
 - ◆ All port supported by MDI/MDIX auto flip and self-negotiation
 - ◆ Supply 16pcs 10/100/1000 Mbps adaptive high speed forwarding data packet non-lost port.
 - ◆ Each port max. power supply reached 30W.
 - ◆ Low heat design, safe and reliable, high stability
- Application: Wireless Access Points IP Camera

Technical Specification

Product Name	16 Port GE POE +2GIGA Uplink+2SFP Uplink Switch(24+2+2)
Product Model	OX-GPS2120-2GS-PRO
DATA PIN	1/2+ 3/6- ,4/5+ 7/8-
Power Supply Type	Build In, 1/2+,3/6-
PoE Output Power	30W
Connector	16*1000 mbps POE port,2*1000mbps Uplink port,2*1000mbps SFP
Network Medium	Cat5 (UTP) or more
Technology	
Network Standards	IEEE 802.3i 10BASE-T IEEE 802.3u 100BASE-TX IEEE 802.3x Flow Control IEEE 802.3af Power over Ethernet
PoE power	30W per port(IEEE802.3af/at). Wiring: power provided over pairs 1/2 and 3/6
Processing types	Store-and-forward Half-duplex back pressure and IEEE 802.3x full-duplex flow control
Address database Table Size	20K MAC address
Buffer memory	48Kb embedded memory per unit
Backboard Bandwidth	56Gpbs Full duplex
Network Latency	Less than 20us for 64 byte frames in store-and-forward mode for 100Mbps to 1000 Mbps transmission
Power	
Input	AC 110-240V
PoE power consumption	30W per port(IEEE802.3af/at)
Overload current protection	Present
Mechanical	
Casing	Metal
Installation	Wall mounting/ Desktop
Interface	
LED Indicators	System: Power, PoE Maximum power Per port: Link, Activity, Speed, PoE active, PoE error

Environment specification	
Operating temperature	-10-55°C(32-104°F)
Storage temperature	-40-70°C(14-158°F)
Operating humidity	90% maximum relative humidity, non-condensing
Storage humidity	95% maximum relative humidity, non-condensing
Regulatory Approval	
ISO	Manufactured in ISO9001 facility
Safety	CE/CCC
Warranty	2 Years
Dimensions	440*190*45mm (L*W*H)
Weight	3Kg

Application



Extra Features:

- ◆ Manual reset changed to automatic reset, No power cuts are needed to change network speeds.
- ◆ Low-voltage detection, step by step to rise, give buffer, prevent burning equipment